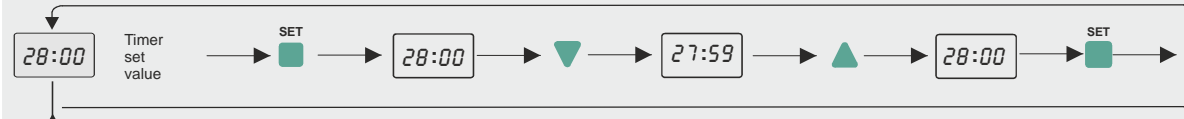


**OUT1 LED** : Specifies the output OUT1.  
**OUT2 LED** : Specifies the output OUT2.  
**HOUR LED** : Selected time unit is HOUR.  
**MIN LED** : Selected time unit is MINUTE.

- **SET** Timer value can be set in Running Mode, Parameter values can be set in Programming Mode and newly assigned parameter values can be saved. After parameter values are changed, new values are saved to memory and Running Mode is returned either by pressing **SET** button or by waiting 10 seconds.
- ▲ **▲** Timer is started by pressing **▲** button for 1 second, when *Str.2* is selected (Except, either parameter or time set value changing). Menu parameters can be accessed in Programming Mode. Parameter set values can be increased. Timer set value can be increased in Time Config Mode. Timer set value increases gradually accelerated by pressing continuously.
- ▼ **▼** Timer and audible warning are stopped by pressing **▼** button for 1 second, when *Str.2* is selected (Except, either parameter or time set value changing). Menu parameters can be accessed in Programming mode. Parameter set values can be decreased. Timer set value can be decreased in Time Config Mode. Timer set value decreases gradually accelerated by pressing continuously.

### TIME CONFIG MODE

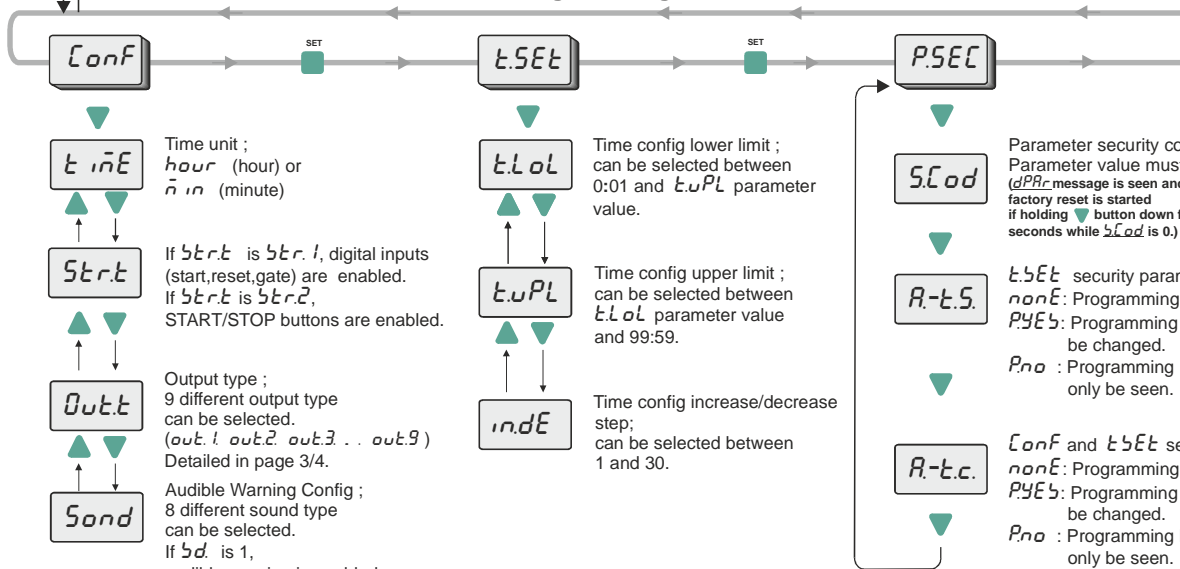


Running Mode switches to Time Config Mode by pressing **SET** button. Display indicates configuration mode is opened by flashing. Desired timer set value can be set by pressing **▼▲** buttons. After desired timer value set, new timer set value is saved to memory and Running Mode is returned either by pressing **SET** button or by waiting 10 seconds.

Programming Menu is opened and *ConF* parameter is seen by pressing **SET** and **▲** buttons at same time. Switching between menu parameters is done by pressing **SET** button. While one of menu parameter is seen, sub-menu parameter is opened when pressing **▼** button.

In order to change sub-menu parameters value, press **▼▲** buttons while holding **SET** button down. When **SET** button is released, all changes will be saved to memory and related sub-menu parameter is returned. Programming Menu is returned from sub-menu parameters by pressing **▼▲** buttons at same time. In the sub-menu, all changes will be saved to memory and Running Mode is returned from sub-menu if no key is pressed for 10 seconds. In programming menu, all changes can be saved to memory and Running Mode can be returned from programming menu either by pressing **SET** and **▲** buttons at same time or if no key is pressed for 10 seconds.

### Programming Menu



**t.inE** Time unit ;  
*hour* (hour) or *min* (minute)  
**Str.t** If *Str.t* is *Str.1*, digital inputs (start, reset, gate) are enabled. If *Str.t* is *Str.2*, START/STOP buttons are enabled.  
**Out.t** Output type ; 9 different output type can be selected. (*out.1 out.2 out.3 ... out.9*) Detailed in page 3/4.  
**Sond** Audible Warning Config ; 8 different sound type can be selected. If *Sd* is 1, audible warning is enabled.

**t.LoL** Time config lower limit ; can be selected between 0:01 and *t.uPL* parameter value.  
**t.uPL** Time config upper limit ; can be selected between *t.LoL* parameter value and 99:59.  
**indE** Time config increase/decrease step ; can be selected between 1 and 30.

**S.Cod** Parameter security code ; Parameter value must be 432. (*dPR* message is seen and factory reset is started if holding **▼** button down for 4 seconds while *S.Cod* is 0.)  
**R-t.S.** *t.SET* security parameter ; *nonE* : Programming Menu invisible. *PYES* : Programming Menu parameter can be changed. *Pno* : Programming Menu parameter can only be seen.  
**R-t.c.** *ConF* and *t.SET* security parameter ; *nonE* : Programming Menu invisible. *PYES* : Programming Menu parameter can be changed. *Pno* : Programming Menu parameter can only be seen.

**Revision number:**  
 In Running Mode, if the **SET**, **▲** and **▼** keys are pressed together, revision number appears on display. (In order to show the revision number, *Str.t* parameter must be set to *Str.1* in *ConF* menu).

### Parameter Configuration Diagram



In order to set related parameter to desired value, hold **SET** button down, when display is started to flash use **▲▼** buttons. Value increases/decreases gradually accelerated by pressing **▲▼** buttons continuously.

ENDA ETM2432 DIGITAL TIMER PARAMETERS				
CONFIGURATION PARAMETERS				
Parameter Name	Functional Specification	Min.	Max.	Unit / Factory Settings
<i>t.inE</i>	Device time config	00:01	99:59	hr/min / <i>min</i>
<i>Str.t</i>	Device input control parameter	<i>Str.1</i>	<i>Str.2</i>	<i>Str.1</i>
<i>Out.t</i>	Device output control parameter	<i>Out.1</i>	<i>Out.9</i>	<i>Out.1</i>
<i>Sond</i>	Device audible warning control parameter	<i>Sd.1</i>	<i>Sd.8</i>	<i>Sd.1</i>
TIMER CONFIGURATION PARAMETERS				
<i>t.LoL</i>	Time config lower limit define parameter	00:01	99:59	00:01
<i>t.uPL</i>	Time config upper limit define parameter	00:02	99:59	99:59
<i>indE</i>	Time config increase/decrease coefficient parameter			
SECURITY PARAMETERS				
<i>S.Cod</i>	Security code parameter	0	9999	0
<i>R-t.S.</i>	Time config security parameter			<i>PYES</i>
<i>R-t.c.</i>	Menu security parameter			<i>PYES</i>

## ENDA ETM 2432 DIGITAL TIMER OUTPUT TYPES

**NOTE :** Selected area indicates the moment of power-up, if the external "START" input is active.

